

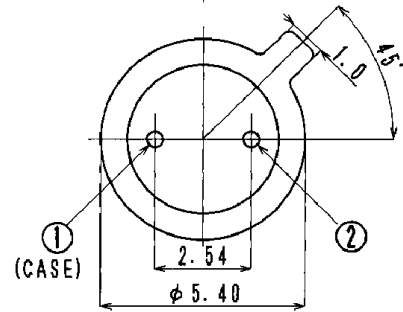
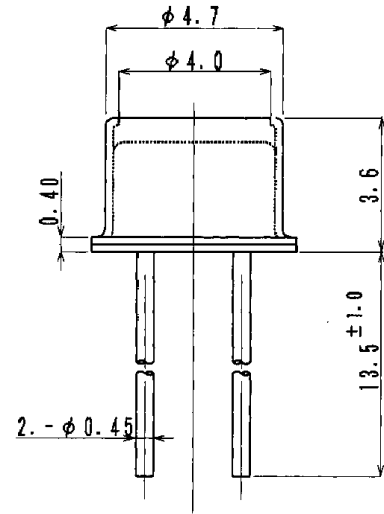
MTE8720W

Features

High Power Output
High Reliability

Applications

Optical Switches
Linear Rotary Encoder



① Cathode

② Anode

Maximum Ratings (Ta=25°C)

Characteristic	Symbol	Max.	Test Condition	Unit
Forward Current	I _F	100	-	mA
Pulsed Forward Current	I _{FP}	1.00	tw=10μ S, T=10mS	A
Reverse Voltage	V _R	5	-	V
Power Dissipation	P _D	200.00	-	mW
Operating Temperature	T _{opr}	-20 ~ +85	-	°C
Storage Temperature	T _{stg}	-30 ~ +100	-	°C
Junction Temperature	T _j	100	-	°C
Soldering Temperature	T _{sol}	260	for 5 sec. max	°C

Opto-Electrical Characteristics (Ta=25°C)

Characteristic	Symbol	Test Condition	Min	Typ	Max	Unit
Forward Voltage	V _F	I _F =50mA	-	1.55	2.00	V
Reverse Current	I _R	V _R =5V	-	-	10	μ A
Power Output	PO	I _F =50mA	-	13.00	-	mW
Half Intensity Beam Angle	θ	-	-	± 15°	-	deg.
Peak Wavelength	λ _p	I _F =50mA	-	870	-	nm
Spectral Line Half Width	Δλ	I _F =50mA	-	45	-	nm

Specification is subject to change without notice.

Company Headquarters
120 Broadway
Menands, New York 12204
Toll Free: 800.984.5337
Fax: 518.432.7454

MTE8720W Graphs

